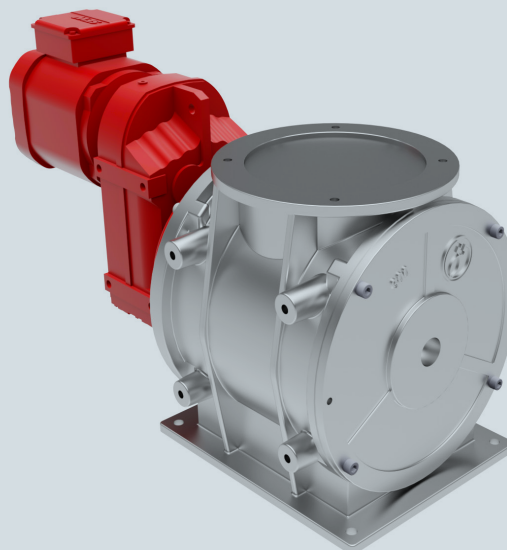




VDL INDUSTRIAL PRODUCTS



VPS ROTARY VALVES

Dosing and drop through rotary valve for special use. It's closed rotor takes extra care in handling the medium. The round inlet is perfect for handling powders and granulates in free fall underneath filters and cyclones. Maximum differential pressure: 0.25 bar.

CHARACTERISTICS

- Standard color RAL 9001
- Many rotor varieties
- Standard with ball-bearings
- Indirect or direct drive
- Dimensions identical to VPR valve
- Standard with cast iron housing and covers
- Many options possible
- External supports with external ball bearings possible
- Closed rotor (cast iron, steel or SS 304)
- Housing and covers also available in SS 316

- Large temperature range
- ATEX version (VPS-A) Cat. II 1D/**D cT4 possible (**2D or 3D) for use in ATEX zone 21 or 22

TECHNICAL DETAILS

Type	180	230	270	300	350	400
Volume capacity (liters per revolution at 100% filling ratio)	2	4.5	8	12	25	40
Number of rotorblades	6	8	8	8	8	8
Max. differential pressure	0.25 bar					
Standard working temperature	-15 up to 60 °C (heat resistant types till 220 °C)					

ROTOR VARIETIES

		Rotor types							
		A / A1		B / B1		D*		D1*	
Rotor closed on sides	A	Straight blades standard	B	Straight blades with chamfered tips on top	D*	Straight blades with exchangeable rotor tips	D1*	Inclined blades with exchangeable rotor tips	
Rotor closed on sides	A1	Inlined blades standard	B1	Inclined blades with chamfered tips on top					

*Exchangeable rotor blades made of hardened steel, stainless steel or Vulkollan (PU)

VPS-EX VERSION:

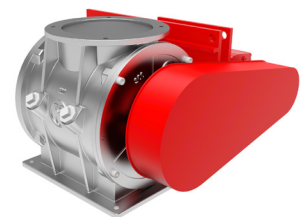
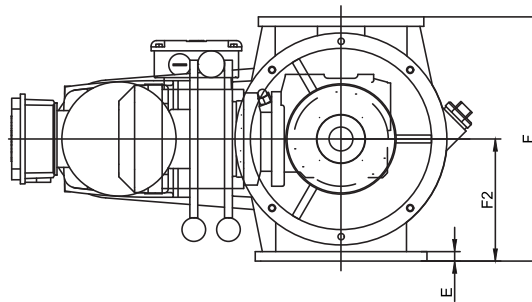
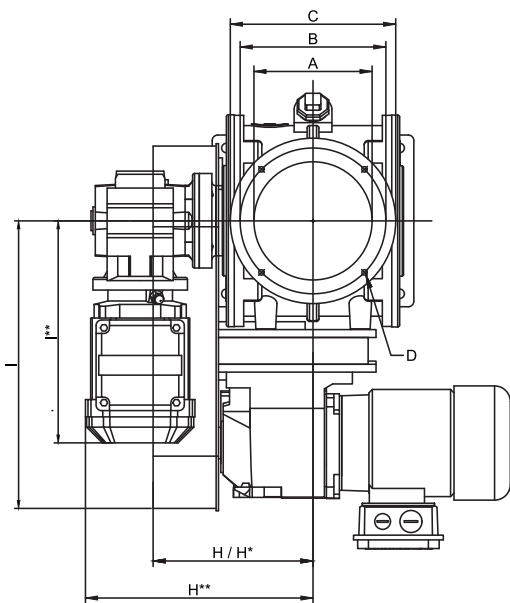
This valve is not available as explosionproof EX version. Please note our HT , HT-S , MD , RS , JK-S and B-S valves for EX versions.

MEASUREMENTS, RPM AND WEIGHT

Measurements (mm)								
Type	A (inlet)	A (outlet)	B (inlet)	B (outlet)	C (inlet)	C (outlet)	D (inlet)	D (outlet)
VPS180	120	150x120	150	180x160	180	210x188	4xM8	4x Ø 10
VPS230	150	185x148	185	220x185	210	256x218	4xM8	4x Ø 12
VPS270	180	242x180	220	290x220	250	340x258	4xM10	4x Ø 13
VPS300	220	266x218	260	330x270	300	372x310	4xM12	4x Ø 14
VPS350	300	360x250	350	210(2x)x320	385	470x360	6xM12	6x Ø 14
VPS400	350	400x320	400	145(2x)x380	438	490x410	6xM12	6x Ø 16

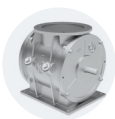
Measurements (mm)									Itrs/rev	Weight (kg)*
Type	E	F	F2	H	H*	H**	I	I**		
VPS180	10	245	122.5	185	334	285	374	286	2	53
VPS230	12	310	155	203	365	300	400	286	4,5	70
VPS270	12	340	170	235	405	364	415	352	8	110
VPS300	13	382	191	252	433	381	431	352	12	130
VPS350	15	470	235	340	508	435	535	383	25	240
VPS400	16	527	263.5	360	571	456	571	404	40	285

*With chaintransmission
 Column H + column I: chain transmission
 Column H*: total length with external supports
 Column H** + column I**: helical worm direct drive



More information about rotary valves in the **catalogue Rotary valves**

OPTIONS AND ACCESSORIES



Housing treatments



Rotor treatments



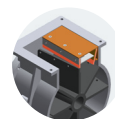
External bearings/
supports



Revolution control



Quick disassembly versions



Slip off

Further possibilities:

- Polished rotor (SS only)
- Teflon coating
- Wear resistant coating
- Special rotorblades