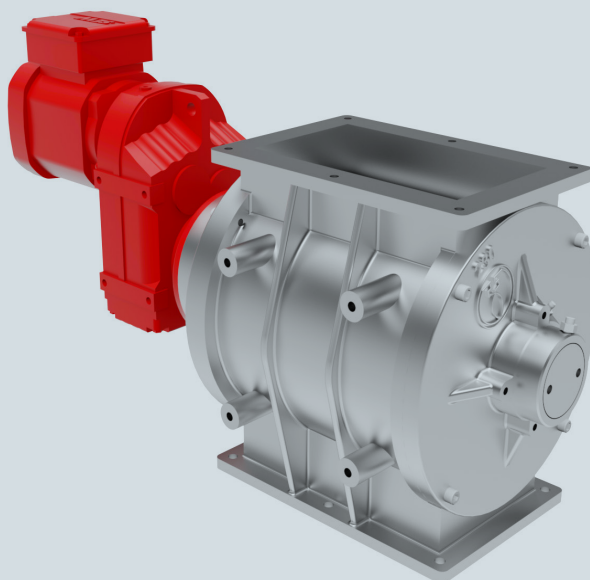




VDL INDUSTRIAL PRODUCTS



## RS ROTARY VALVES

Dosing and drop through rotary valve, particularly for dosing powders and granulates from silo's or bunkers. It has a rectangular in- and outlet, which makes this valve perfect as inlet valve in pneumatic lines, even with abrasive media. This valve has got a large range of different characteristics to choose from and is also available for big capacities, which allows you to choose the best version to suit your demands. Max. differential pressure: 1 bar.

### CHARACTERISTICS

- Standard color RAL 9001
- Many rotor varieties
- Standard with ball-bearings
- Indirect or direct drive
- Suitable for dosing large quantities
- Standard with cast iron housing and covers
- External supports with external ball bearings possible
- Low air-loss
- Available in SS 316
- Open rotor (steel or SS)
- Large temperature range

- Many options and extra's possible
- ATEX version (RS-A) Cat. II 1D/\*\*D cT4 possible (\*\*2D or 3D), for use in ATEX zone 21 or 22

### TECHNICAL INFORMATION

Type	150	180	230	270	300	350	450	600
Volumetric capacity (liters/rev. at 100% filling ratio)	2	4	8	12	20	40	80	120
Rotorblades	8	8	8	8	8	10	10	12
Max. diff. pressure	1 bar							
Working temperature standard	-15 up to 60 °C (heat resistant up to 220 °C)							

### ROTOR VARIETIES

		Rotor types							
		A / A1		C / C1		D* / D1*		E* / E1*	
<b>Straight</b>	A	Straight blades standard	C	Straight blades with chamfered tips on all sides	D*	Straight blades with exchangeable rotor tips on top	E*	Straight blades with exchangeable rotor tips on all sides	
<b>Inclined</b>	A1	Inclined blades standard	C1	Inclined blades with chamfered tips on all sides	D1*	Inclined blades with exchangeable rotor tips on top	E1*	Inclined blades with exchangeable rotortips on all sides	

\*Exchangeable blades in hardened c72 steel, stainless steel or Vulkollan

### RS-EX VERSION: FLAMEPROOF AND PRESSURE SURGE-RESISTANT

RS rotary valves are also available in certified versions suited for explosion isolation.

RS-EX versions with steel or SS blades are flameproof and pressure surge-resistant till 10 bar (ATEX EX II 1D, zone 20).

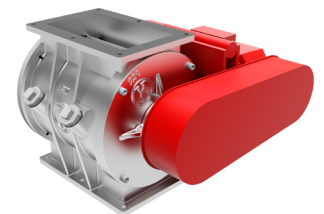
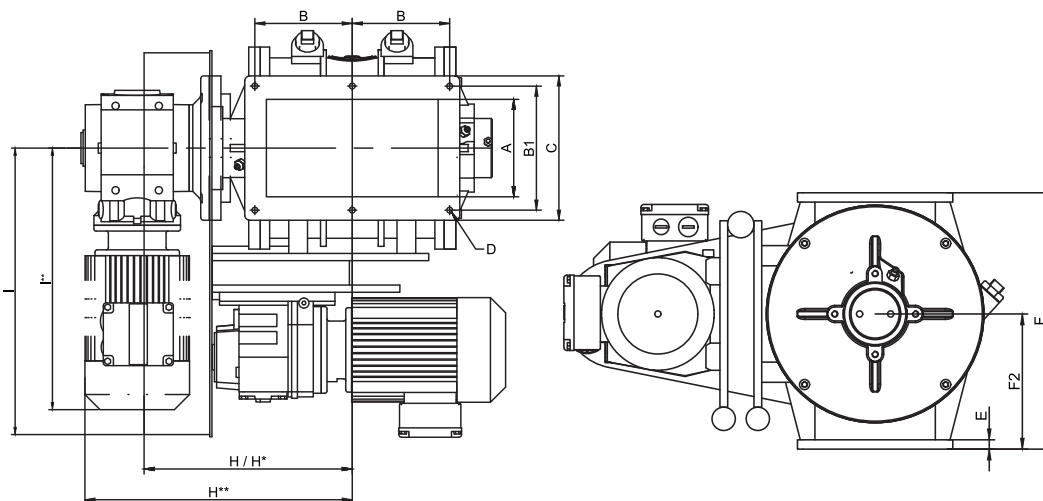
Standard colour: RAL 3020. Certification: IB U07ATEX2029 X

## MEASUREMENTS, RPM AND WEIGHT

Measurements (mm)								
Type	A (inlet)	A (outlet)	B1 (inlet)	B1 (outlet)	B	C (inlet)	C (outlet)	D (inlet)
RS150	155x105	155x105	145	145	95	210x165	210x165	6xM8
RS180	190x118	190x118	155	155	115	250x178	250x178	6xM8
RS230	238x135	235x135	172	172	135	298x200	298x200	6xM8
RS270	276x148	276x158	194	194	155	342x222	342x222	6xM10
RS300	340x198	340x198	250	250	195	428x278	428x278	6xM12
RS350	470x238	476x220	300	300	180	580x352	580x332	8xM12
RS450	570x285	570x285	185(2x)	370	215	710x436	710x425	10xM14
RS600	635x356	695x356	244(2x)	244(2x)	266	840x530	840x530	10xM16

Measurements (mm)										RPM	Gross weight (kg)*
Type	D (outlet)	E	F	F2	H	H*	H**	I	I**		
RS150	6x Ø10	10	245	130	231	332.5	292	367	286	15 up to 32	59
RS180	6x Ø10	11	270	140	252	352	313	380	286	15 up to 32	67
RS230	6x Ø10	12	330	174	290	394	347	401	352	15 up to 32	97
RS270	6x Ø12	12	390	213	315	422	372	421	352	15 up to 32	135
RS300	6x Ø13	13	447	248	253	472	452	497	383	15 up to 32	190
RS350	8x Ø14	15	530	290	452	577	549	540	404	15 up to 32	318
RS450	8x Ø15	22	677	339	535	670	685	635	503	15 up to 32	575
RS600	10x Ø18	25	830	415	635	772	-	765	-	15 up to 32	1100

\* Chain transmission  
 Column H\*: total length with external supports  
 Column H + column I: chain transmission  
 Column H\*\* + Column I\*\*: helical worm direct drive

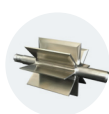


More information about rotary valves in the **catalogue Rotary valves**

## OPTIONS AND ACCESSORIES



Housing treatments



Rotor treatments



External bearings



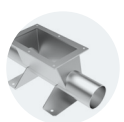
Air purge



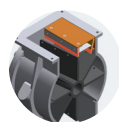
Revolution control



Quick disassembly versions



Injector



Slip off

### Others:

- Different RAL colour
- Nickel plating
- Chroming plating
- Polishing (SS only)