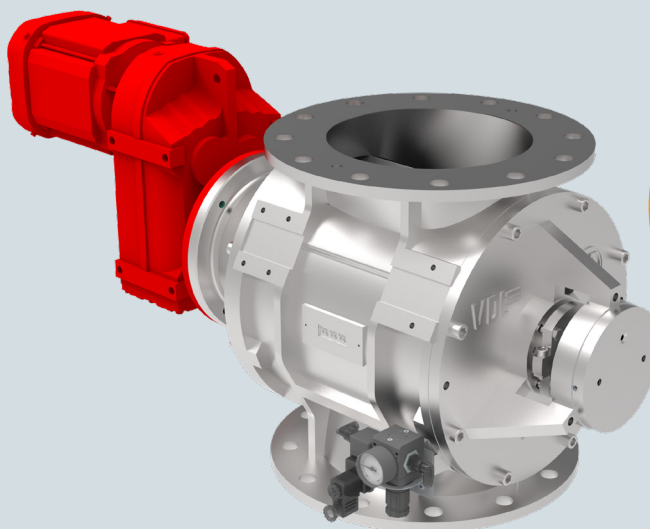




VDL INDUSTRIAL PRODUCTS



FOOD GRADE
hygienic and suitable for food

STAINLESS STEEL SMD DOSING VALVES

Drop-through and dosing valve suitable for transporting both powdered and granular products. This valve is specially designed for the pharmaceutical, chemical and food industries (EHEDG compliant). The SMD series features a large inlet for optimal filling and low resistance, ideal for dosing. Also very suitable for pneumatic transport. Thanks to the different rotor designs, a wide range of products can be handled well. The direct drive and a glandpacking for the shaft seal result in a maintenance-friendly and reliable valve.

PROPERTIES

- External maintenance-free ball bearings
- Gland packings
- Can be used with differential pressures up to approx. 1 bar
- Cutting inlet
- Minimal air leakage
- These valve is equipped with standard Nord motor gearboxes (capacity 0.55 kW – 1.5 kW)
- Standard equipped with venting
- AISI 316 body and cover
- High filling ratio
- Flanges in accordance with DIN PN10

TECHNICAL INFORMATION

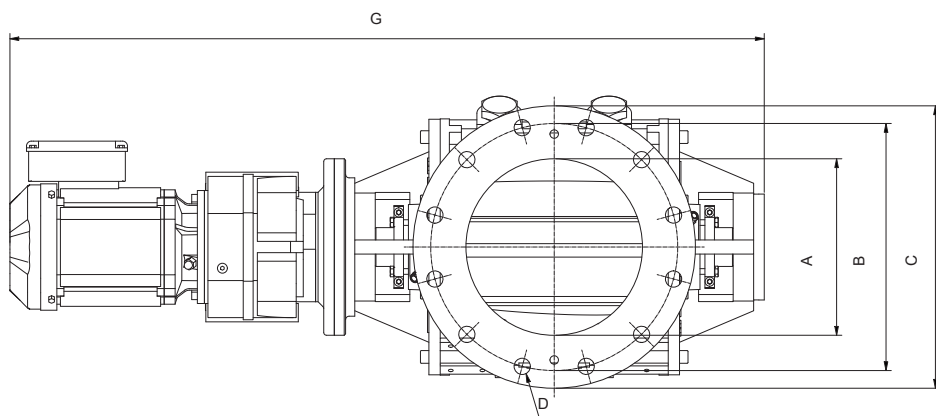
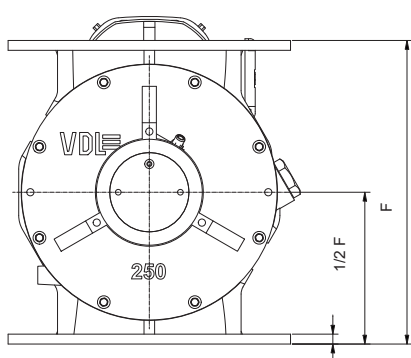
Type	150	200	250	300
Volume capacity (litres per revolution at a fill of 100%)	3	11	20	37
Number of rotor blades	8	8	8	8
Max. differential pressure	1 bar			
Operating temperature	-15 up to 60 °C			

ROTOR VARIANTS

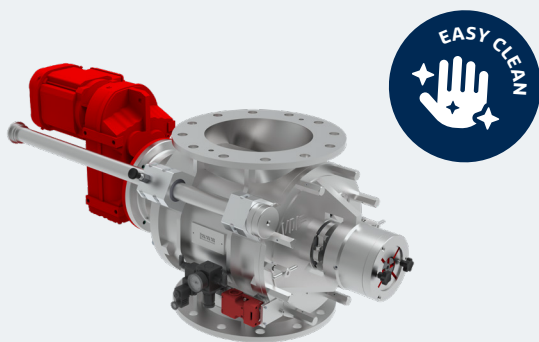
Rotor types	
C	E
Stainless steel fixed blades tapered all around	Stainless steel / stainless steel removable tips

DIMENSIONS, SPEED AND WEIGHT

Type	Sizes (mm)						Speed (rpm)	Total weight (kg)
	Ø A	Ø B	Ø C	D	F	G		
SMD150	150	240	285	8 x Ø23	260	840	28	60
SMD200	200	295	340	8 x Ø23	370	956	29	120
SMD250	250	350	395	12 x Ø23	430	1069	26	200
SMD300	300	400	445	12 x Ø23	500	1242	25	240

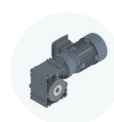


DISCOVER THE NEW SMD: A STAINLESS STEEL EASY CLEAN VERSION

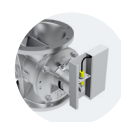


The SMD Easy Clean valve has high cleaning efficiency, as the rotor can be removed easily and replaced without tools. The rotary valve has a stainless steel AISI316 body and rotor and is suitable for foodstuffs, for example.

OPTIONS AND ACCESSORIES



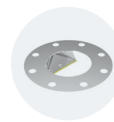
Special drives



Speed monitoring



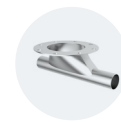
Seals & flanges



Stainless steel product scrapers



Air purge



Injectors

More options:

- Rotor polishing